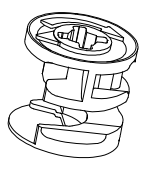
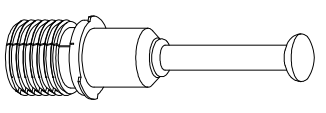


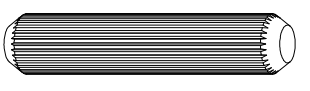
a-12x



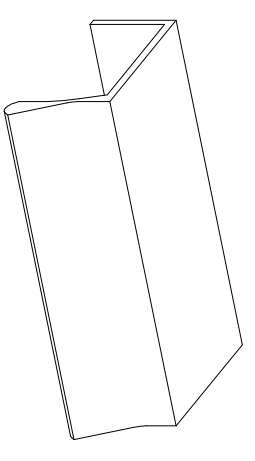
b-12x



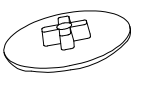
c-24x



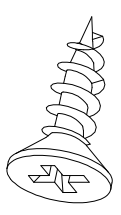
d-4x



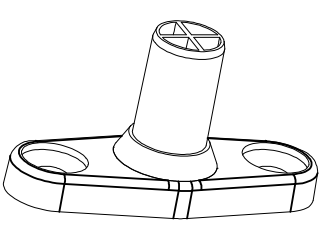
e-12x



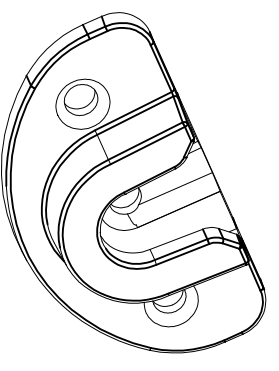
f-112x



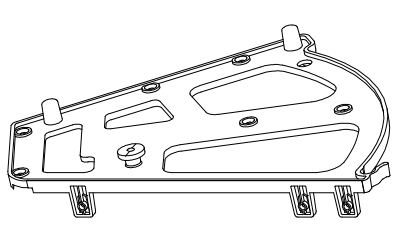
g-8x

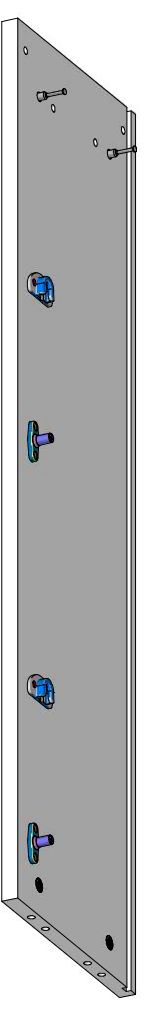
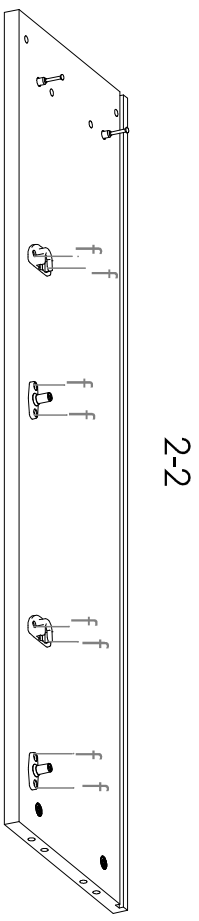
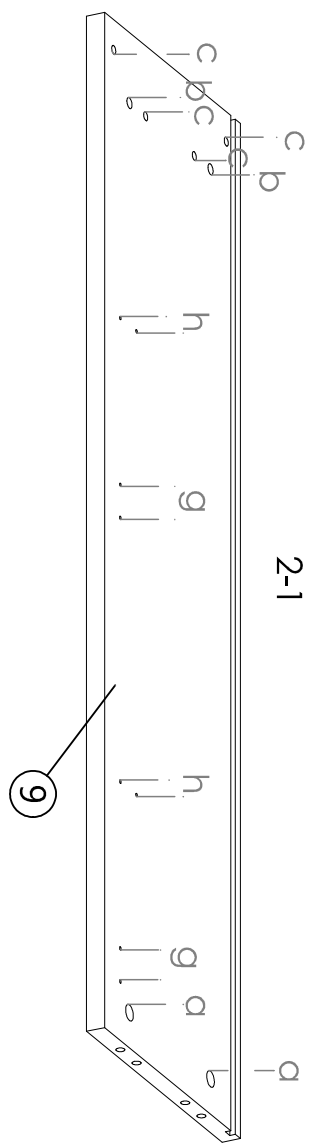
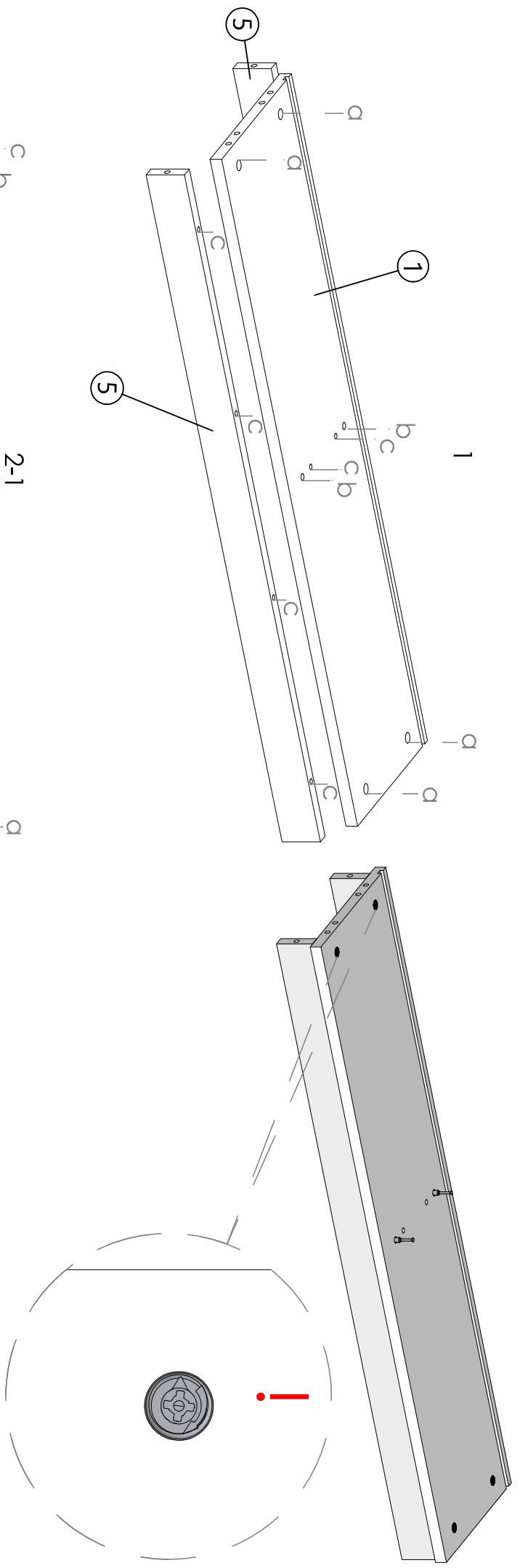


h-8x

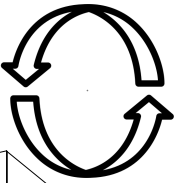
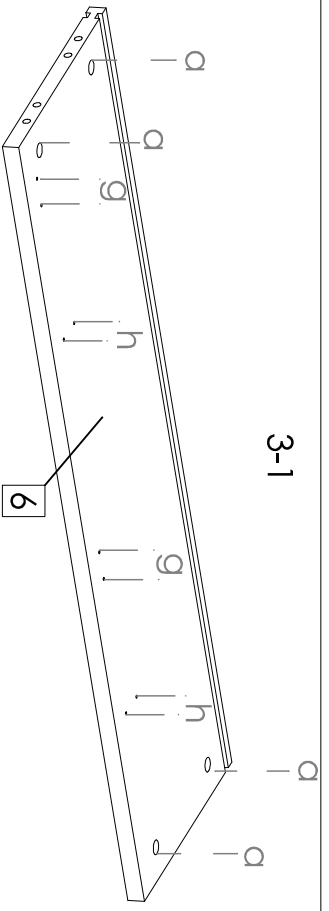


i-8x

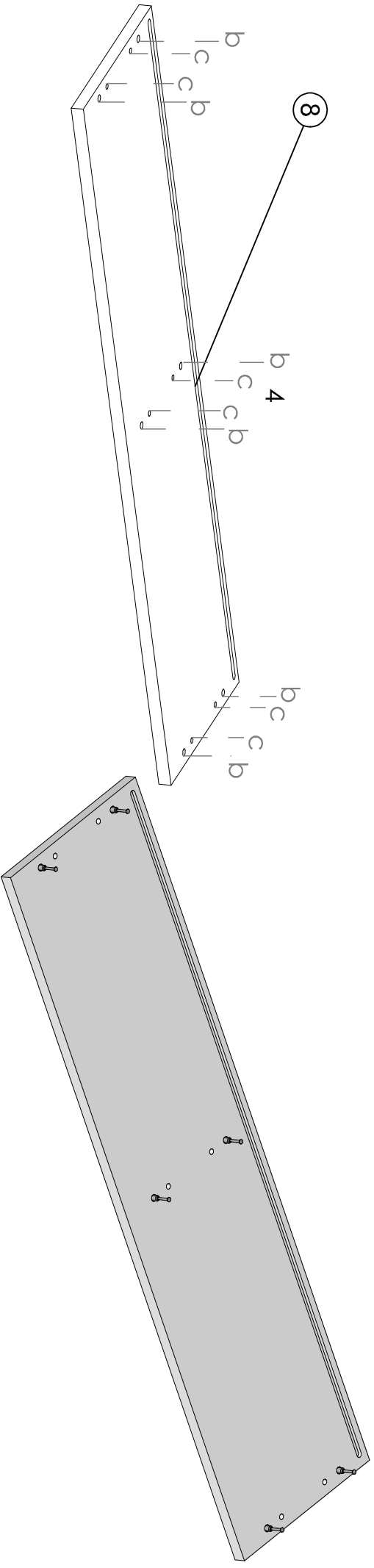
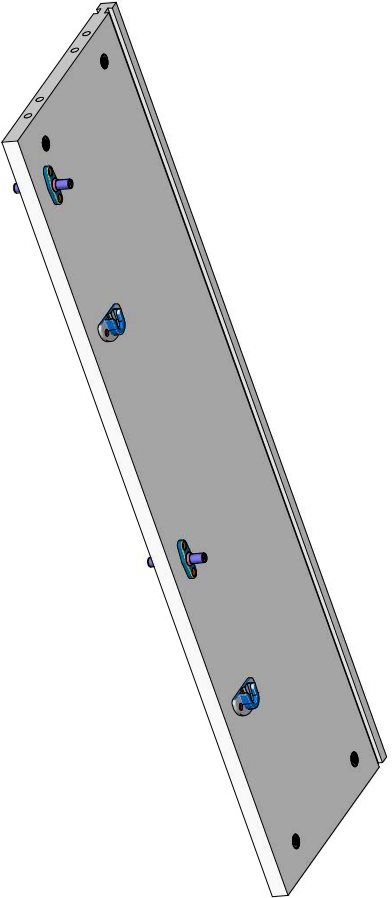
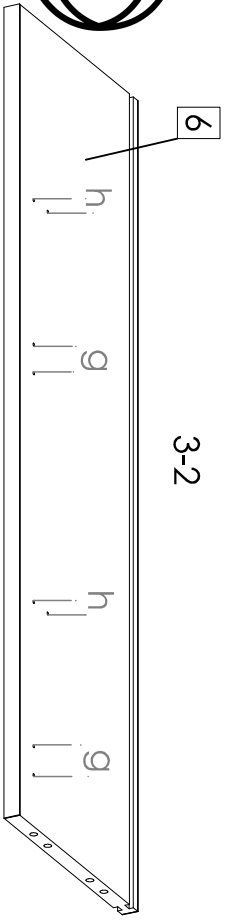


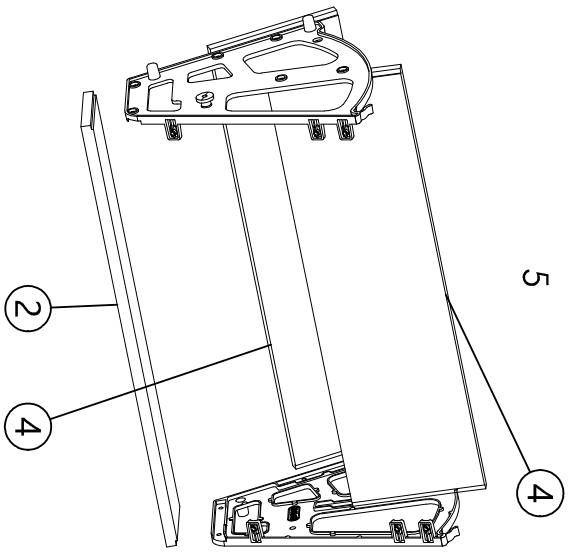


3-1

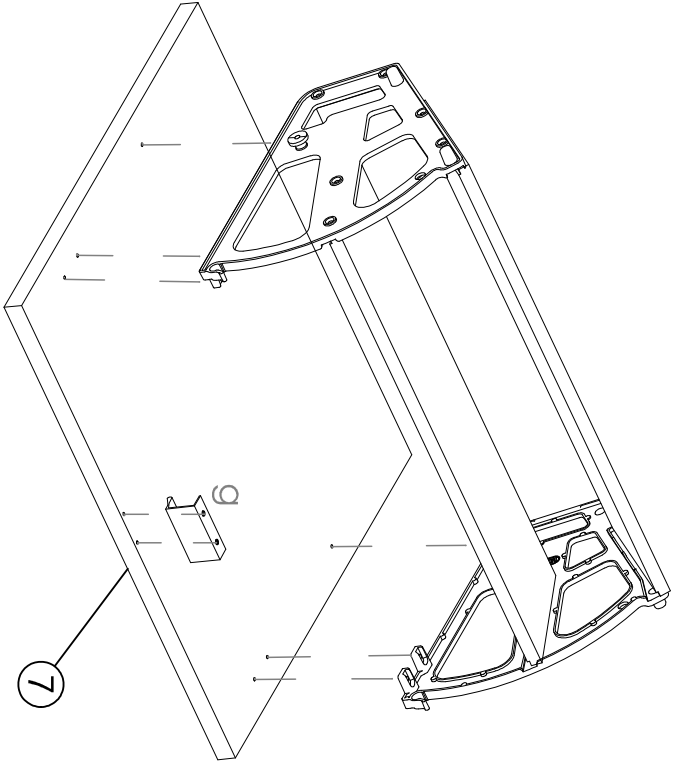
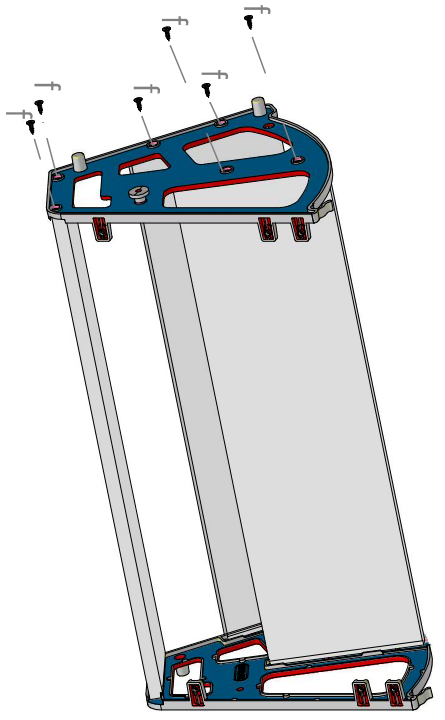


3-2





6-1



6-2

